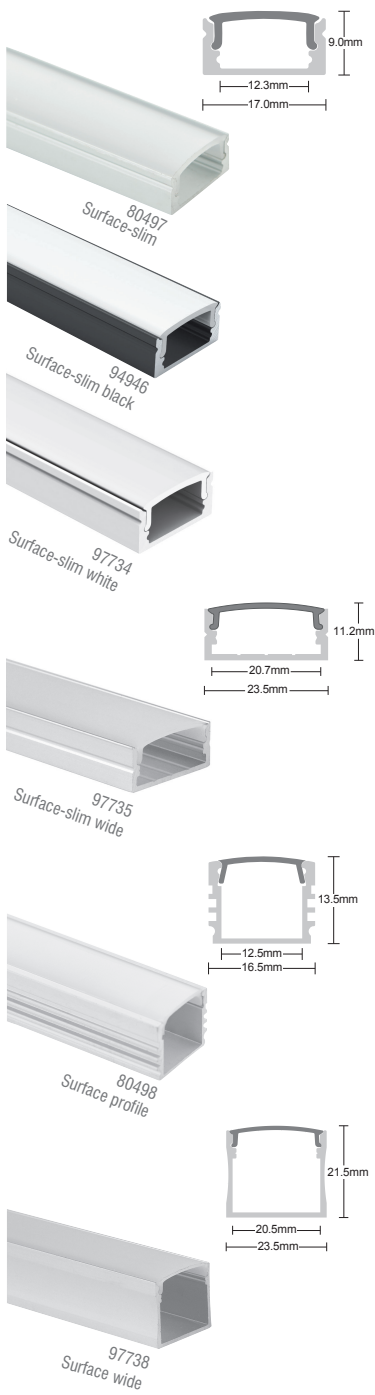


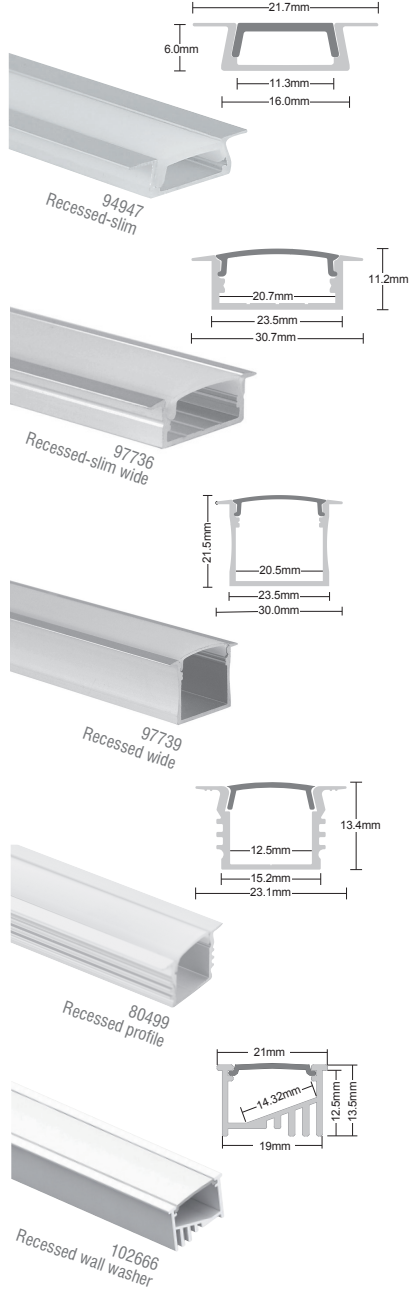
# EXTRUSION

80497, 80498, 80499, 80500, 80501, 94946, 94947, 94948, 94949  
 97732, 97734, 97735, 97736, 97737, 97738, 97739, 102665, 102666, 102667, 102668

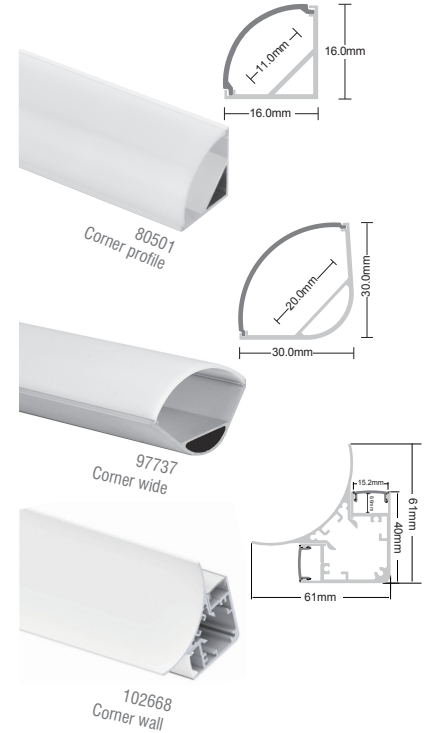
## Surface



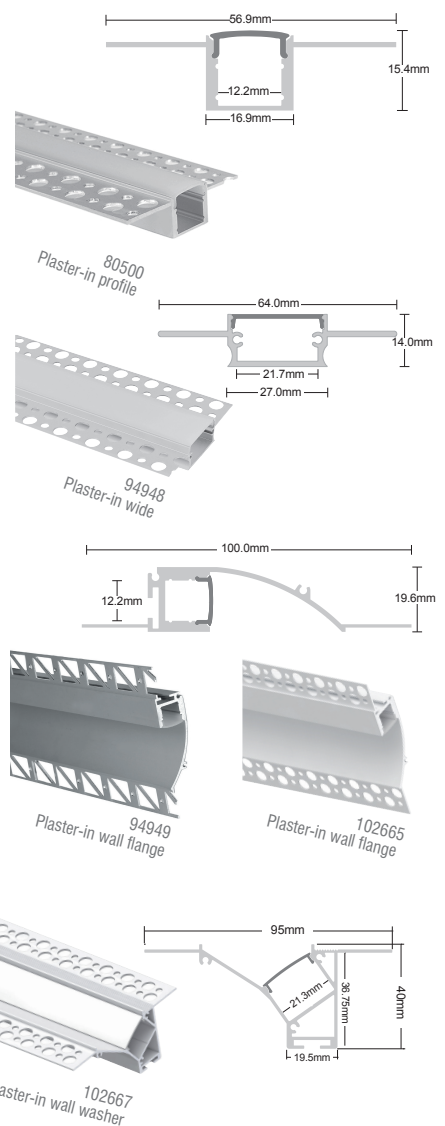
## Recessed



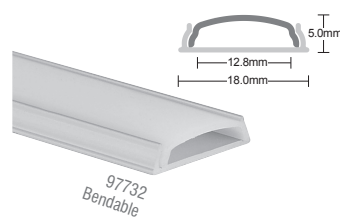
## Corner



## Plaster-in



## Bendable



Thank you for purchasing this accessory. Please read the instruction carefully before use to ensure safe and satisfactory operation of this product.  
Please retain these instruction for future reference.

**Specification - Dimensions:**

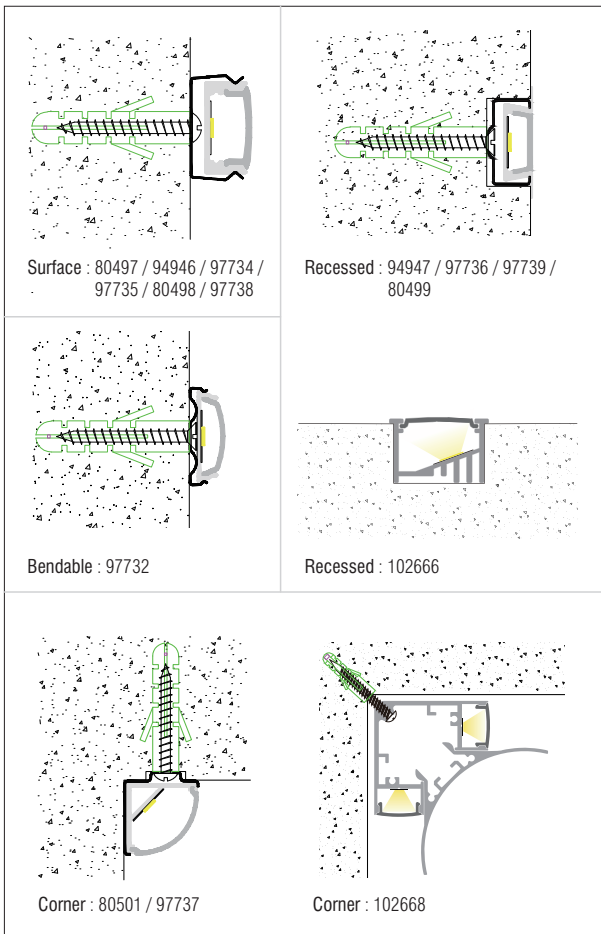
<b>Surface</b> - 80497: 2000mm x 17mm x 9mm	<b>Recessed</b> - 94947: 2000mm x 21.7mm x 6mm	<b>Bendable</b> - 97732: 2000mm x 18mm x 5mm	<b>Plaster-in</b> - 80500: 2000mm x 56.9mm x 15.4mm
94946: 2000mm x 17mm x 9mm	97736: 2000mm x 30.7mm x 11.2mm		94948: 2000mm x 64mm x 14mm
97734: 2000mm x 17mm x 9mm	97739: 2000mm x 30.0mm x 21.5mm		94949: 2000mm x 100mm x 19.6mm
97735: 2000mm x 23.5mm x 11.2mm	80499: 2000mm x 23.1mm x 13.4mm	<b>Corner</b> - 80501: 2000mm x 16mm x 16mm	102665: 2000mm x 100mm x 29.6mm
80498: 2000mm x 16.5mm x 13.5mm	102666: 2000mm x 21mm x 13.5mm	97737: 2000mm x 30mm x 30mm	102667: 2000mm x 95mm x 40mm
97738: 2000mm x 23.5mm x 21.5mm		102668: 2000mm x 61mm x 61mm	

**Installation for Surface / Recessed / Bendable / Corner**

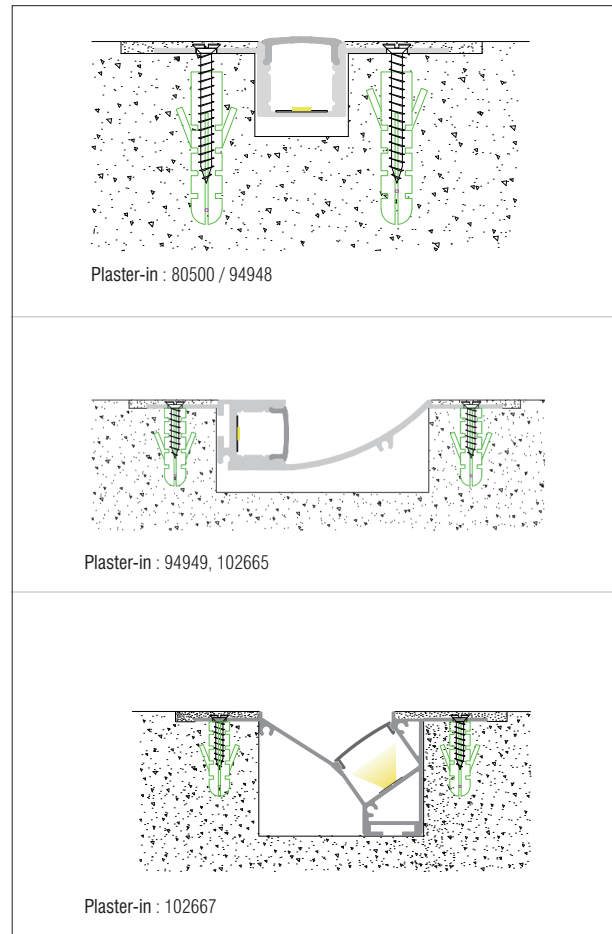
- Choose an ideal place to mount the profile.
- Remove the 4 brackets from the fixing pack.
- Using the brackets as templates, mark and drill the position of the fixing holes.
- Ensure the mounting structure is capable of holding the weight of the product. Take care to avoid damaging any concealed wiring and pipes.
- Attach both brackets to the chosen mounting surface using the plastic plugs and screws (not supplied) according to the following installation diagram.
- Remove the backing off of the chosen LED module strip and stick down inside the aluminium profile.
- Attach diffuser to the profile, sliding into the profile grooves.
- Place end caps onto the ends of the fitting.
- Push profile onto the brackets to secure.
- Your fitting is now ready for use.

**Installation for Plaster-in**

- Using the aluminium profile as templates, mark and drill the position of the fixing holes.
- Ensure the mounting structure is capable of holding the weight of the product. Take care to avoid damaging any concealed wiring and pipes.
- Remove the backing off of the chosen LED module strip and stick down inside the aluminium profile.
- Attach diffuser to the profile, sliding into the profile grooves.
- Place end caps onto the ends of the fitting.
- Push the aluminum profile into the existing groove.
- Then use the plastic plugs and screws (not supplied) to fix the aluminum profile to the wall.
- Cemented the sides of the aluminum profile.



\* Product images may vary.



\* Product images may vary.

**Care and Safety**

We recommend cleaning with a soft dry cloth. Do not use solvents or abrasive cleaners as these could damage the finish.  
For your safety, always switch off the power supply before changing lightbulbs, or cleaning.